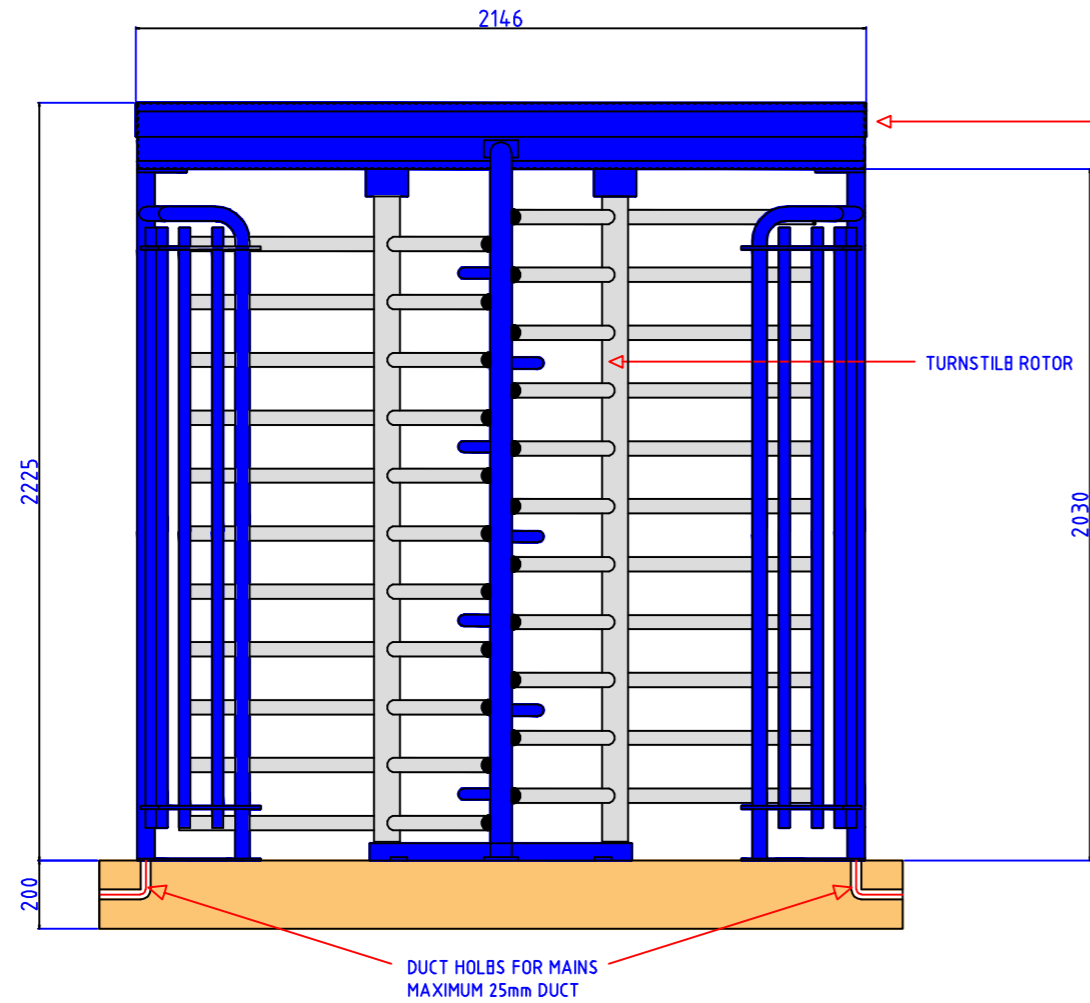


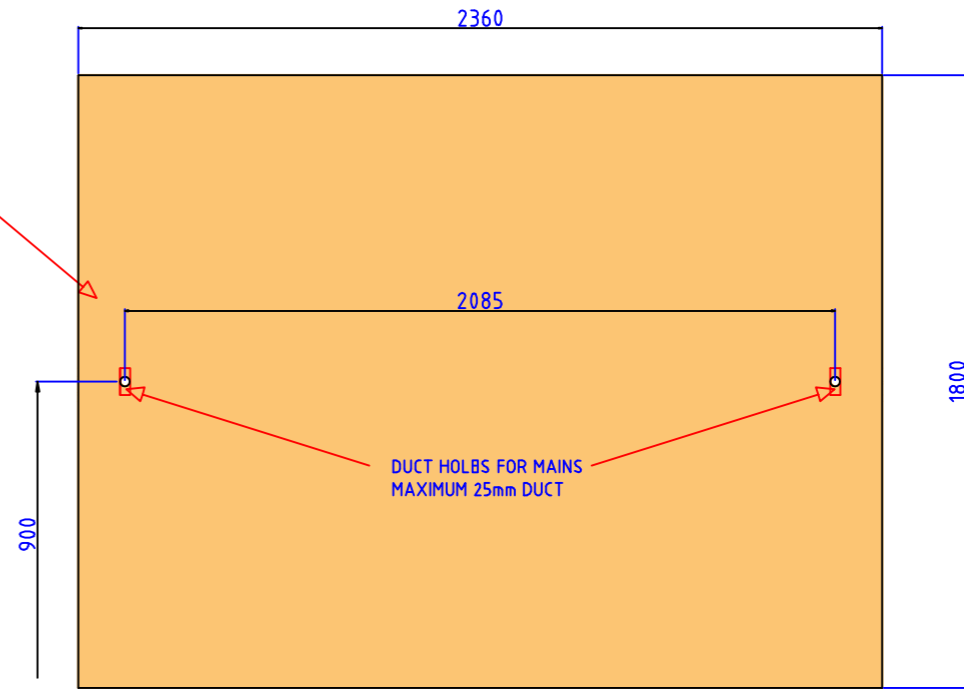
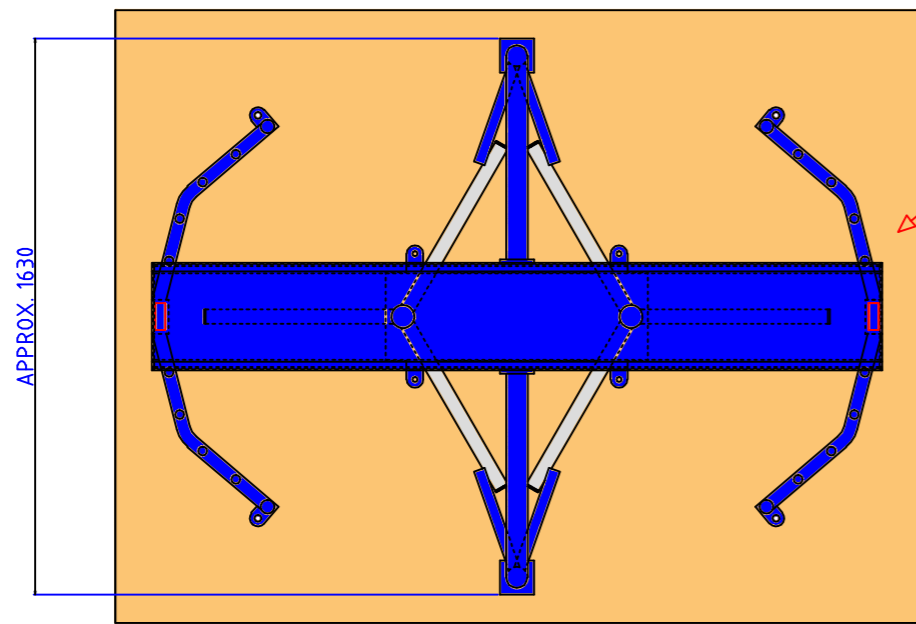
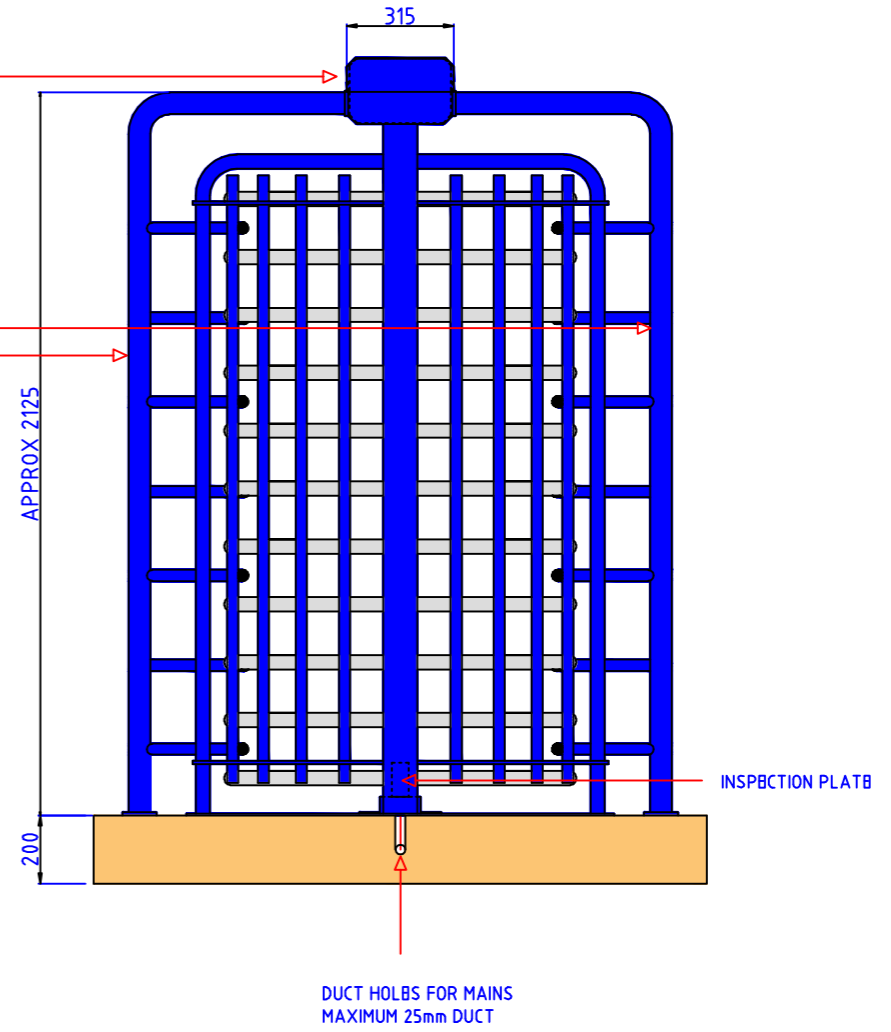
FULL HEIGHT DOUBLE TURNSTILE



HEADBR UNIT CONTAINING
TURNSTILE WORKINGS

FIXED SUPPORT STRUT USED
TO BLOCK OFF THE GAP
BETWEEN THE 2 TURNSTILE
ROTORS SO AS NOBODY CAN
GET THROUGH

PLEASE NOTE THESE BARS
ARE HANDED AND WILL ONLY
FIT ON THE ONE SIDE SO IF
THE TURNSTILE IS EVER
DISMANTLED PLEASE MAKE
NOTE WHICH STRUT IS WHICH.



DRAWN BY :	
DATE :	15/05/2009
SCALE :	SCHEMATIC

TITLE : D4200 DOUBLE FULL HEIGHT TURNSTILE	
DRAWING NUMBER :	
REVISION :	1